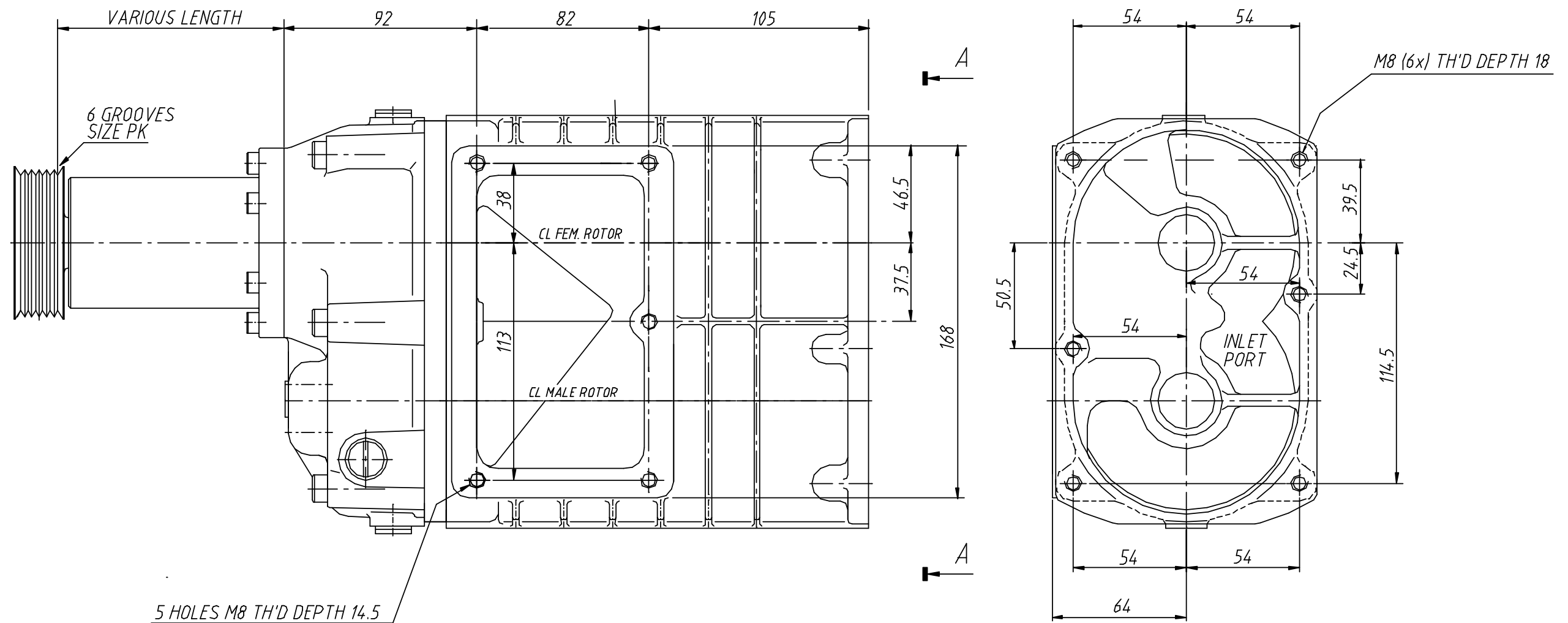


Lysholm Technologies Twin-Screw Supercharger 1600AX Dimension Drawing

DISPLACEMENT 1.6 L/REV.
MAX SPEED 13000 RPM CONT.
INTERNAL LUBRICATION SYSTEM OR
CIRCULATING OIL FOR SOME APPLICATIONS.



ALL DIMENSIONS IN METRIC

A - A