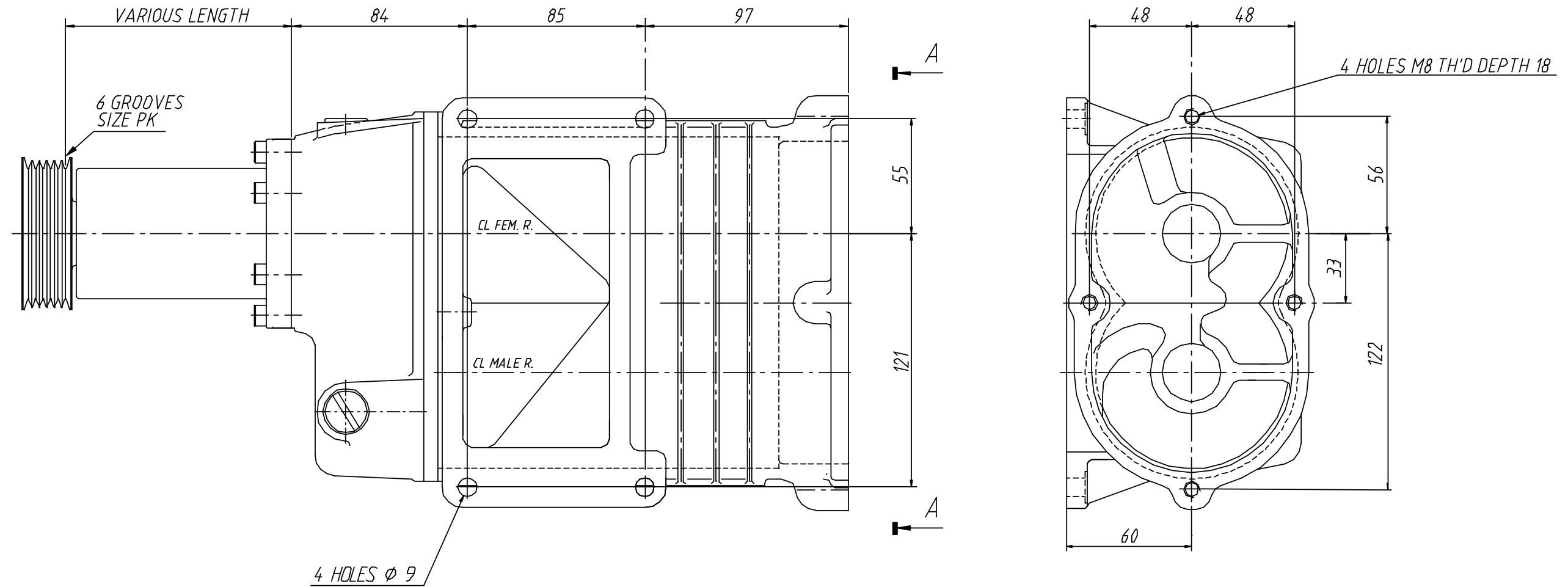


# Lysholm Technologies Twin-Screw Supercharger 1200AX Dimension Drawing

DISPLACEMENT 1.2 L/REV.  
MAX SPEED 14000 RPM CONT.  
INTERNAL LUBRICATION SYSTEM OR  
CIRCULATING OIL FOR SOME APPLICATIONS.



ALL DIMENSIONS IN METRIC

A - A